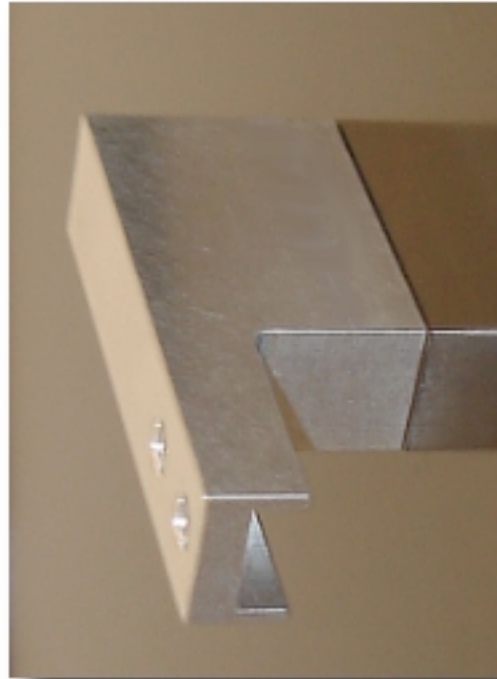


Effector – Gripper Finger Blanks

Finger Blanks for SMC series MHZ2-25



Basic and Long Finger Blanks

(Basic Style shown - Dimensions on back of sheet)

Gripper Finger Blanks are made to fit the SMC* line of pneumatic grippers. Cut the time and costs associated with machining gripper fingers from scratch.

Benefits include:

- No need to stock material
- Each finger is keyed for accuracy and strength
- Short lead-time, with most fingers in stock
- Variety of materials and sizes to choose from

Effector.com - Holden, Massachusetts 01520

Phone:

e-mail:

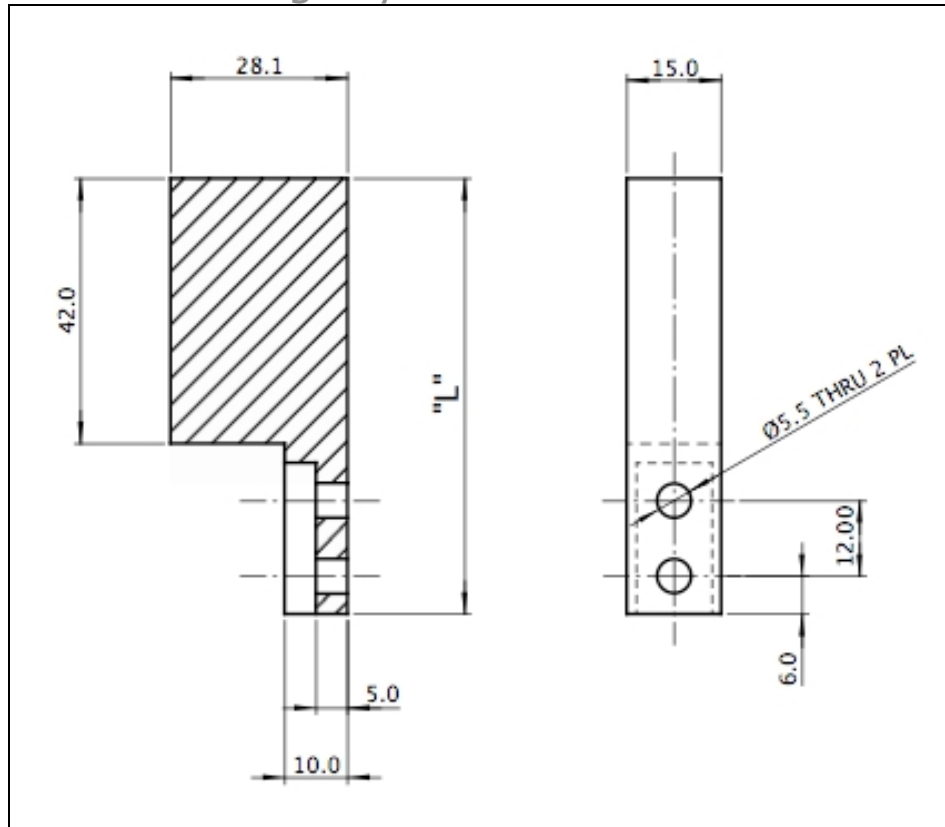
*Effector is not affiliated with SMC Corp.

Effector – Gripper Finger Blanks

Part Number	Material	SMC Gripper	"L" Dim.
GFB-MHZ-25-AL-B-N	Aluminum	MHZ2-25	69.0
GFB-MHZ-25-SS-B-N	Stainless Steel	MHZ2-25	69.0
GFB-MHZ-25-DL-B-N	Delrin	MHZ2-25	69.0
GFB-MHZ-25-AL-L-N	Aluminum	MHZ2-25	119.0
GFB-MHZ-25-SS-L-N	Stainless Steel	MHZ2-25	119.0
GFB-MHZ-25-DL-L-N	Delrin	MHZ2-25	119.0

Call or e-mail Effector directly for materials or lengths not listed above.

Basic and Long Style for SMC series MHZ2-25



All dimensions are in millimeters.

Effector.com - Holden, Massachusetts 01520

Phone:

e-mail:

*Effector is not affiliated with SMC Corp.